



2015 CATALOGUE  
**LED Street Luminaire**  
**HID Street Luminaire**



**TYC 堤維西交通工業股份有限公司**  
TYC Brother Industrial Co., Ltd

總公司：70248台南市安平工業區新樂路72-2號  
HEAD OFFICE：72-2 Shin-leh Rd., Tainan 702, Taiwan  
TEL: +886-6-2658780 FAX: +886-6-2639608  
<http://www.tyc.com.tw>

**TYC 昆山堤維西節能照明科技有限公司**  
Kun Shan TYC High Performance Lighting Tech Co., Ltd

昆山市玉山镇灯塔路东侧99号  
HEAD OFFICE：No.99 Lighthouse Road, east of Yushan Town, Kunshan  
TEL: 0512-5728-6286~615 FAX: 0512-5728-6288  
<http://www.qtyc.net>

**8-1<sup>th</sup> EDITION**



## About us

The Slogan says it all, "LIGHTS, PRECISION & SAFETY". TYC Brother Industrial Company Ltd. understands and admires the essence of light in all its forms, unveiling and revealing nature through a spectrum of radiant colors. It has been inspired by the fact that nearly all life on earth is fueled by light from the sun that warms hearts and dries up our fears. We turn to light for safety and reassurance and million drivers around the world are turning to TYC for the very same reasons.

TYC is one of the world's largest manufacturers of automotive, motorcycle, truck and bus lighting products, a worldwide supplier of lighting products for all functions to both original equipment manufacturers and automotive replacement parts in North America, Europe, Asia-Pacific, Africa and Middle East.

## TYC Brother Industrial Co. Overview

**Established** : Sept. 9, 1986

**IPO** : Oct.6,1997

**Capital** : US\$ 108M

**Employees** : 1,330 (Jan.2013)

**2012 Sales turnover** : US\$ 294M

**Principal Activity** : Manufacture & Sales of Lighting Device

**Mobile** : Automotive, Motorcycle, Truck & Off-road Equipment

**Stationary** : Street and Building - Office/Industrial, Interior/Exterior

**Tainan Plants**

**AN-PING** : 16,200sq.m (174,375 sq ft)

Management; HR,IT & Adm; Finance; Sales; OEM R&D; Lab ;

Tool Shop & High Performance Luminaire

**TECH PARK PHASE 1** : 62,300sq.m (670,591 sq ft)

Manufacturing; Assembly; Purchasing & Production Control;

QA; AFM R&D; Storage; Warehouse; Shipping

**TECH PARK PHASE 2** : 1722 sq.m

Warehousing

## TYC Group Global Network

### TAIWAN

*TYC Brother Industrial Co., Ltd.*

*JUOKU Technology Co., Ltd.*

*DBM Reflex of Taiwan Co., Ltd.(JV)*

*I Yuan Precision Ind. Co., Ltd. (invest)*

**Manufacturing & Sales Facilities**

### REST OF WORLD

*China VTYC, Changzhou (JV)*

*China Da Mao Precision, changzhou*

*China Changchun Sparx*

*China Harbin Haxing (JV)*

*Thailand TIT International Co., Ltd*

*Iran Seraj Noor Toos Co., PJS (JV)*

*Lithuania UAB TYC Baltic (JV)*

**Sales & Distribution Warehouse Facilities**

### EUROPE

*Netherlands-TYC Europe b.v.*

**N. AMERICA- Genera Corporation**

*California Texas*

*New Jersey Georgia*

*Illinois*



TYC Brother Ind. Co., Ltd.



Genera Corporation



TYC Europe B.V.



Harbin Haxing Auto Parts Co.



Varroc TYC  
Auto Lamps Co., Ltd.



Changzhou  
Da Mao Precision Tooling.



TIT International Co., Ltd..  
- Thailand



Chang Chun Sparx  
Auto Lamps Co., Ltd.

## LED Street Luminaire - Yacht

LED路燈海洋系列—帆船號



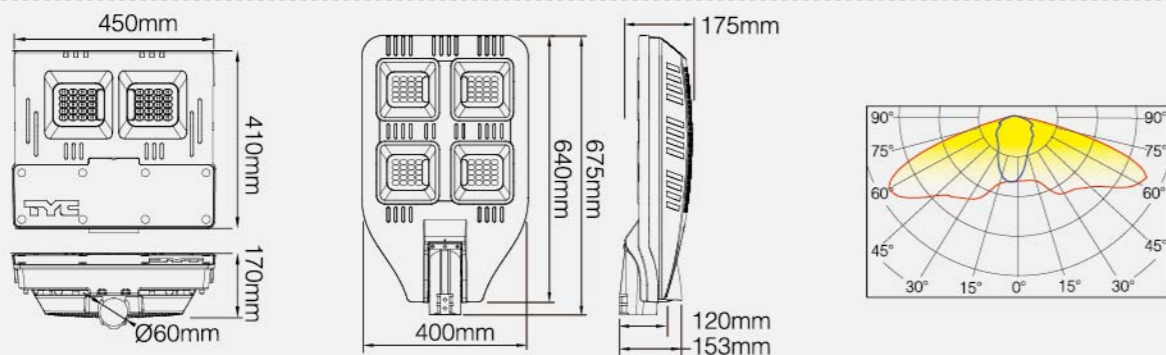
50-B002  
60W / 70W / 101W



50-B003  
110W / 130W / 180W



<b>Material</b>	Aluminum alloy, PMMA, IRON					
<b>Voltage</b>	100~277V					
<b>Module input current</b>	700mA					
<b>Operating temperature</b>	- 40 °C ~ + 70 °C					
<b>Storage temperature</b>	- 40 °C ~ + 80 °C					
<b>Pole Dimension</b>	Ø50mm - Ø60mm					
<b>CCT</b>	3000K±300K / 4500K±300K					
<b>CRI</b>	70+					
<b>Lifetime of LED</b>	50,000hrs					
<b>Power Factor</b>	>0.95					
<b>Power consumption</b>	60W	70W	101W	110W	130W	180W
<b>Net Weight</b>	7.0kg	7.0kg	8.6kg	10.3kg	10.8kg	11kg
<b>Luminous efficacy</b>	98.9lm/W	97.9lm/W	98.8lm/W	101.6lm/W	100.8lm/W	96.5lm/W
<b>Flux</b>	5661 lm	7106.8 lm	9176 lm	10980 lm	13278 lm	17262 lm



## LED Street Luminaire - Scorpio

LED路燈銀河系列—天蠍座

※本路燈採用 **PHILIPS** 光源模組與電氣系統。

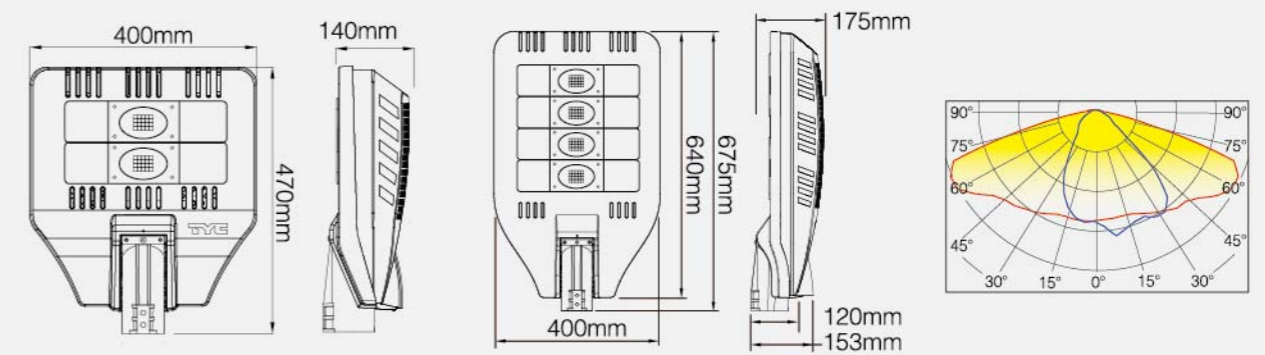
This LED Street Luminaire is equipped with PHILIPS LED module and power supply system.



50-B005 30W LED Street Luminaire    50-B005 60W LED Street Luminaire    50-B006 90W LED Street Luminaire    50-B006 120W LED Street Luminaire



<b>Material</b>	Aluminum alloy, Glass, IRON			
<b>Voltage</b>	110~277V			
<b>Module input current</b>	700mA			
<b>Operating temperature</b>	- 30 °C ~ + 50 °C			
<b>Pole Dimension</b>	Ø50mm - Ø60mm			
<b>CCT</b>	3000K / 4000K / 5000K			
<b>CRI</b>	80+(3 000K) / 70+(4000K) / 80+(5000K)			
<b>Lifetime of LED</b>	50,000hrs			
<b>Power Factor</b>	>0.95			
<b>Power consumption</b>	30W	60W	90W	120W
<b>Net Weight</b>	4.4Kg	5Kg	6.6Kg	7.2Kg
<b>Luminous efficacy</b>	>102 lm/W	>102 lm/W	>105 lm/W	>105 lm/W
<b>Flux</b>	3000 lm	6100 lm	9200 lm	12000 lm



## LED Street Luminaire - Leo

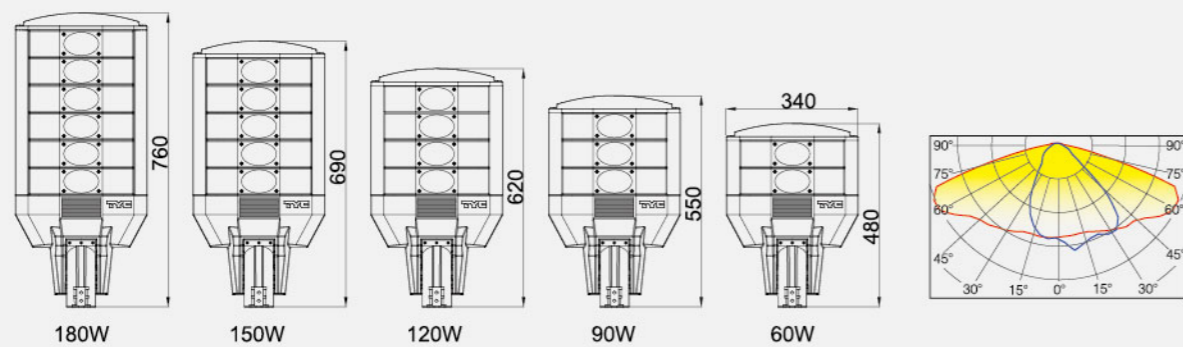
LED路燈銀河系列—獅子座

※本路燈採用**PHILIPS**光源模組與電氣系統。

This LED Street Luminaire is equipped with PHILIPS LED module and power supply system.



<b>Material</b>	Aluminum alloy, Glass , IRON				
<b>Voltage</b>	110~277V				
<b>Module input current</b>	700mA				
<b>Operating temperature</b>	- 30 °C ~ + 50 °C				
<b>Pole Dimension</b>	Ø50mm - Ø60mm				
<b>CCT</b>	3000K / 4000K / 5000K				
<b>CRI</b>	80+(3000K) / 70+(4000K) / 80+(5000K)				
<b>Lifetime of LED</b>	50,000hrs				
<b>Power Factor</b>	>0.95				
<b>Luminous efficacy</b>	>102 lm/W				
<b>Power consumption</b>	60W	90W	120W	150W	180W
<b>Flux</b>	6000 lm	9000 lm	12000 lm	15000 lm	18000 lm

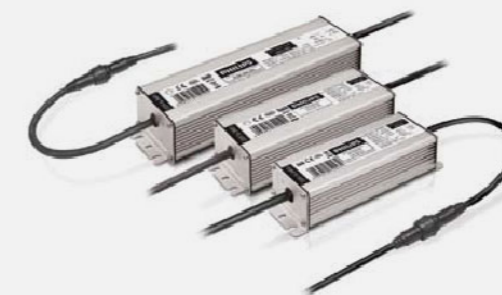


## CertaFlux PLM LED System

PHILIPS LED路燈模組—天狼星

**Integrated heat sink**  
State-of-art heat management solution

**IP 66 cable connector**  
for wiring  
easy cabling for assembling



### Xitanium IP67 Driver

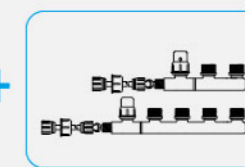
- 50,000 hours lifetime
- Reliable with low failure rate
- High efficacy and reach 94%
- 4kV surge protection



Xitanium IP67 Driver



CertaFlux PLM LED



PHILIPS Cable



## LED Tunnel Luminaire

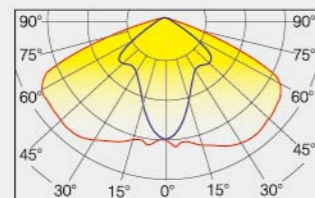
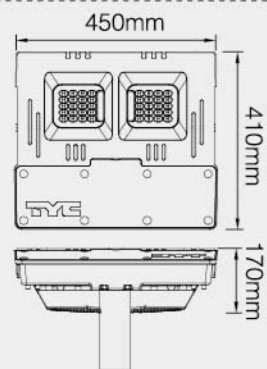
LED節能路燈系列—隧道燈



50-E002



<b>Material</b>	Aluminum alloy, PMMA , IRON		
<b>Voltage</b>	100~277V		
<b>Module input current</b>	700mA		
<b>Operating temperature</b>	- 40 °C ~ + 70 °C		
<b>Storage temperature</b>	- 40 °C ~ + 80 °C		
<b>Pole Dimension</b>	Ø50mm - Ø60mm		
<b>Net Weight</b>	9.0kg		
<b>CCT</b>	3000K±300K / 4500K±300K		
<b>CRI</b>	70+		
<b>Lifetime of LED</b>	50,000hrs		
<b>Power consumption</b>	60W	70W	100W
<b>Power Factor</b>	>0.95	>0.95	>0.95
<b>Luminous efficacy</b>	98.9lm/W	97.9lm/W	98.8lm/W
<b>Flux</b>	5661 lm	7106.8 lm	9176 lm



## HID Street Light - Planet

節能路燈系列—小行星



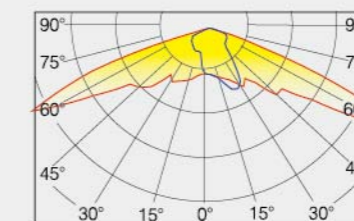
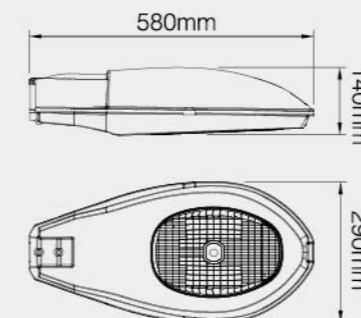
50-A002



50-A017  
Adjustable angle Type



<b>Material</b>	Aluminum alloy, Tempered glass
<b>Voltage</b>	220V
<b>Pole Dimension</b>	Ø50mm - Ø60mm
<b>Net Weight</b>	7.0kg
<b>Insulation Class</b>	Class I
<b>Base</b>	G12
<b>Bulb Spec</b>	35W / 70W / 150W
<b>Lumens of Bulb</b>	3400(35W) / 7000(70W) / 15500(150W)
<b>CCT</b>	3000K / 4200K
<b>CRI</b>	80+(3000K) / 90+(4200K)



## HID Street Light - Whales

節能路燈系列—小藍鯨



50-A005



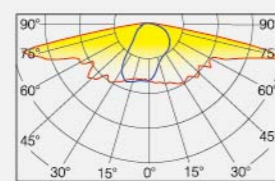
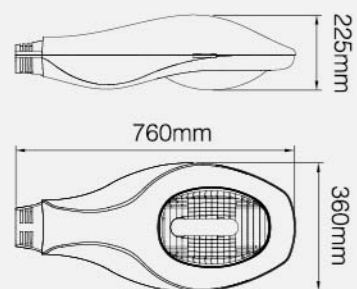
50-A005  
Energy Label Type



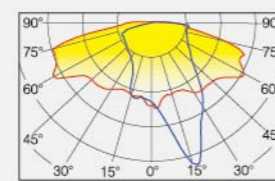
50-A018



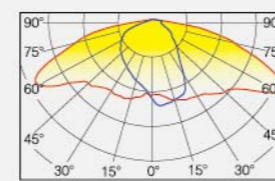
<b>Material</b>	Aluminum alloy, Tempered glass
<b>Voltage</b>	220V
<b>Pole Dimension</b>	Ø50mm - Ø60mm
<b>Net Weight</b>	8.5kg
<b>Insulation Class</b>	Class I
<b>Base</b>	G12 / E40
<b>Bulb Spec</b>	70W / 150W / 250W
<b>Lumens of Bulb</b>	6000(70W) / 15500(150W) / 23500(250W)
<b>CCT</b>	3000K / 4200K
<b>CRI</b>	80+(3000K) / 90+(4200K)



50-A005



50-A005  
Energy Label Type



50-A018

## HID Street Light - Rabbit

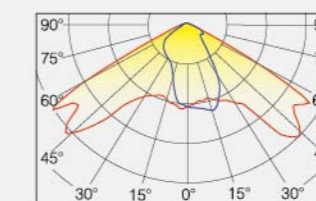
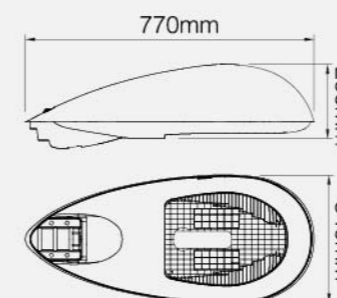
節能路燈系列—小白兔



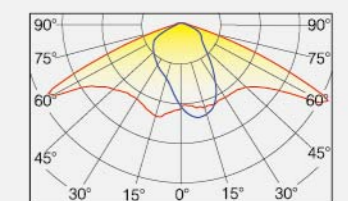
50-A004  
50-A019 (China CECP Type)



<b>Material</b>	Aluminum alloy, Tempered glass
<b>Voltage</b>	220V
<b>Pole Dimension</b>	Ø50mm - Ø60mm
<b>Net Weight</b>	10.5kg
<b>Insulation Class</b>	Class I
<b>Base</b>	E40
<b>Bulb Spec</b>	150W / 250W / 400W
<b>Lumens of Bulb</b>	15500(150W) / 23500(250W) / 39000(400W)
<b>CCT</b>	3000K / 4200K
<b>CRI</b>	80+(3000K) / 90+(4200K)



50-A004



50-A019  
China CECP Type

## HID Street Light - Power Station

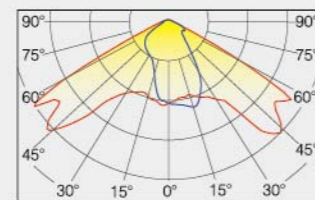
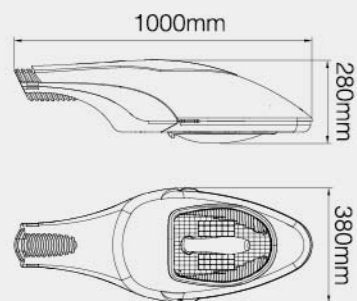
節能路燈系列—動力火車



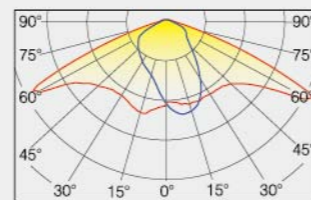
50-A006  
50-A006(China CECP Type)



<b>Material</b>	Aluminum alloy, Tempered glass
<b>Voltage</b>	220V
<b>Pole Dimension</b>	Ø50mm - Ø60mm
<b>Net Weight</b>	14kg
<b>Insulation Class</b>	Class I
<b>Base</b>	E40
<b>Bulb Spec</b>	150W / 250W / 400W
<b>Lumens of Bulb</b>	15500(150W) / 23500(250W) / 39000(400W)
<b>CCT</b>	3000K / 4200K
<b>CRI</b>	80+(3000K) / 90+(4200K)



50-A006



50-A006  
China CECP Type

## HID Street Light - Dolphin

節能路燈系列—小海豚



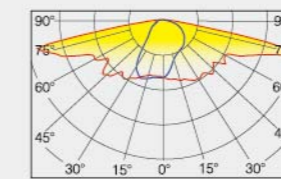
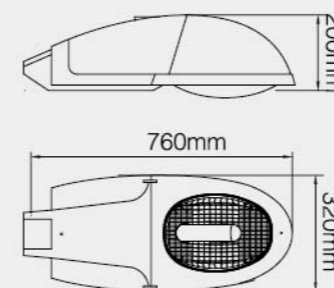
50-A007  
50-A007(China CECP Type)



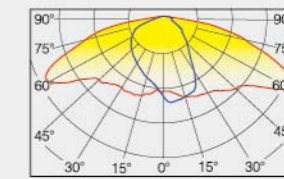
<b>Material</b>	Aluminum alloy, Tempered glass
<b>Voltage</b>	220V
<b>Pole Dimension</b>	Ø50mm - Ø60mm
<b>Net Weight</b>	9.8kg
<b>Insulation Class</b>	Class I
<b>Base</b>	G12 / E40
<b>Bulb Spec</b>	70W / 100W / 150W / 250W
<b>Lumens of Bulb</b>	6000(70W) / 15500(150W) / 23500(250W)
<b>CCT</b>	3000K / 4200K
<b>CRI</b>	80+(3000K) / 90+(4200K)



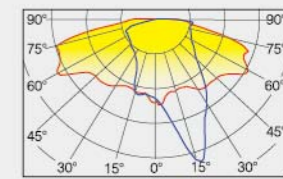
50-A007(Energy Label Type)



50-A007



50-A007  
China CECP Type



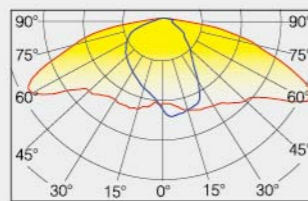
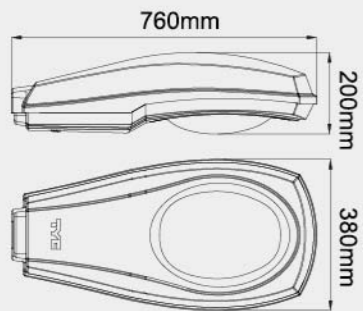
50-A007  
Energy Label Type

# HID Street Light - Ruyi

節能路燈系列—如意



<b>Material</b>	Aluminum alloy, Tempered glass
<b>Voltage</b>	220V
<b>Pole Dimension</b>	Ø50mm - Ø60mm
<b>Net Weight</b>	9.8kg
<b>Insulation Class</b>	Class I
<b>Base</b>	G12
<b>Bulb Spec</b>	150W / 250W
<b>Lumens of Bulb</b>	15500(150W) / 23500(250W)
<b>CCT</b>	3000K / 4200K
<b>CRI</b>	80+(3000K) / 90+(4200K)

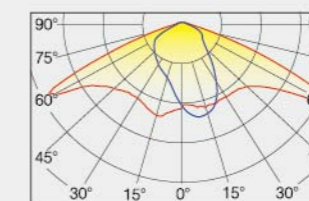
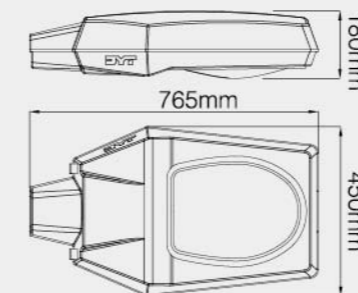


# HID Street Light - Fuchi

節能路燈系列—福氣



<b>Material</b>	Aluminum alloy, Tempered glass
<b>Voltage</b>	220V
<b>Pole Dimension</b>	Ø50mm - Ø60mm
<b>Net Weight</b>	12kg
<b>Insulation Class</b>	Class I
<b>Base</b>	E40
<b>Bulb Spec</b>	250W / 400W
<b>Lumens of Bulb</b>	23500(250W) / 39000(400W)
<b>CCT</b>	3000K / 4200K
<b>CRI</b>	80+(3000K) / 90+(4200K)

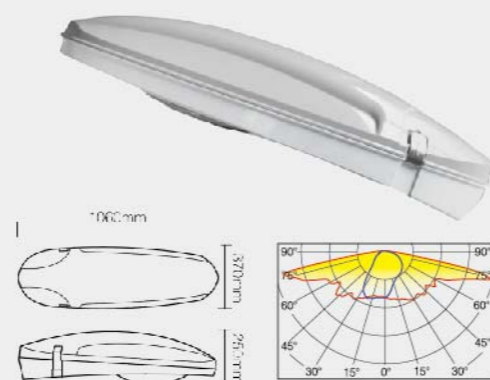




## HID Street Light - Easterly 1

節能路燈系列—東風一號

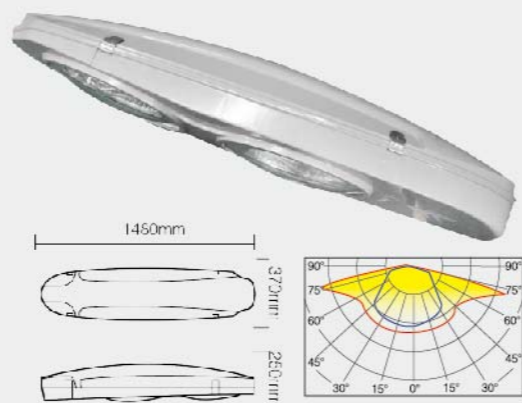
<b>Material</b>	Aluminum alloy, Tempered glass
<b>Pole Dimension</b>	Ø50mm - Ø60mm
<b>Net Weight</b>	13.2kg
<b>Protection Rank</b>	IP54
<b>Base</b>	E40
<b>Bulb Spec</b>	100W / 150W
<b>Certification</b>	China GB 7000.5 / GB 7000.1
<b>Model No.</b>	50-A021



## HID Street Light - Easterly 2

節能路燈系列—東風二號

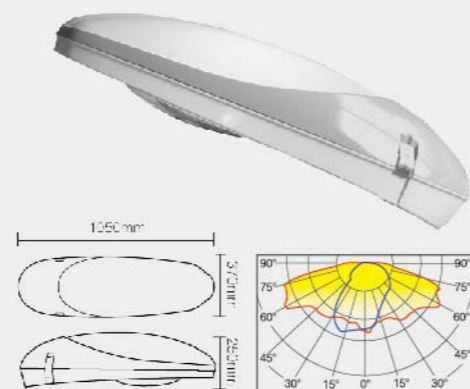
<b>Material</b>	Aluminum alloy, Tempered glass
<b>Pole Dimension</b>	Ø50mm - Ø60mm
<b>Net Weight</b>	20kg
<b>Protection Rank</b>	IP54
<b>Base</b>	E40
<b>Bulb Spec</b>	150W / 150W+150W
<b>Certification</b>	China GB 7000.5 / GB 7000.1
<b>Model No.</b>	50-A022



## HID Street Light - Easterly 3

節能路燈系列—東風三號

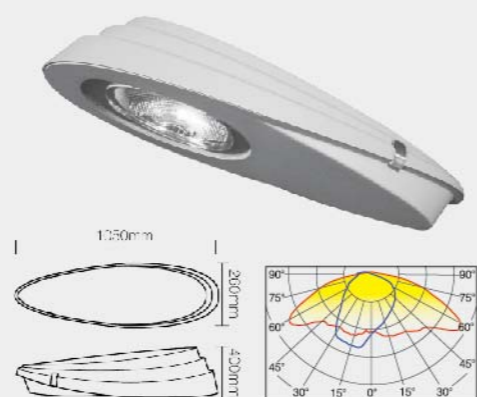
<b>Material</b>	Aluminum alloy, Tempered glass
<b>Pole Dimension</b>	Ø50mm - Ø60mm
<b>Net Weight</b>	13.5kg
<b>Protection Rank</b>	IP54
<b>Base</b>	E40
<b>Bulb Spec</b>	100W / 150W
<b>Certification</b>	China GB 7000.5 / GB 7000.1
<b>Model No.</b>	50-A023



## HID Street Light - Small Shell

節能路燈系列—小貝殼

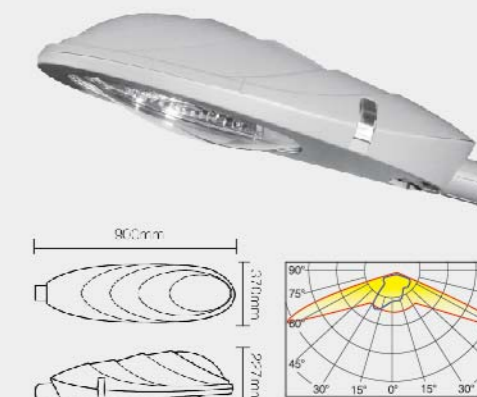
<b>Material</b>	Aluminum alloy, Tempered glass
<b>Pole Dimension</b>	Ø50mm - Ø60mm
<b>Net Weight</b>	13.5kg
<b>Protection Rank</b>	IP54
<b>Base</b>	E40
<b>Bulb Spec</b>	100W / 150W / 200W
<b>Certification</b>	China GB 7000.5 / GB 7000.1
<b>Model No.</b>	50-A028



## HID Street Light - Small Conch

節能路燈系列—小海螺

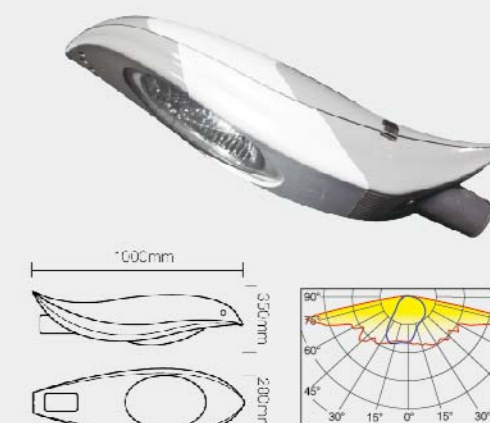
<b>Material</b>	Aluminum alloy, Tempered glass
<b>Pole Dimension</b>	Ø50mm - Ø60mm
<b>Net Weight</b>	13.5kg
<b>Protection Rank</b>	IP54
<b>Base</b>	E40
<b>Bulb Spec</b>	100W / 150W / 250W
<b>Certification</b>	China GB 7000.5 / GB 7000.1
<b>Model No.</b>	50-A019



## HID Street Light - Saint Angelo

節能路燈系列—報喜鳥

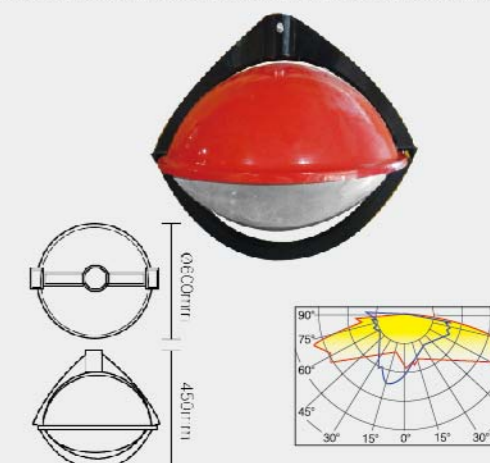
<b>Material</b>	Aluminum alloy, Tempered glass
<b>Pole Dimension</b>	Ø50mm - Ø60mm
<b>Net Weight</b>	10.7kg
<b>Protection Rank</b>	IP54
<b>Base</b>	E40
<b>Bulb Spec</b>	100W / 150W
<b>Certification</b>	China GB 7000.5 / GB 7000.1
<b>Model No.</b>	50-A020



## HID Street Light - Small UFO

節能路燈系列—小飛碟

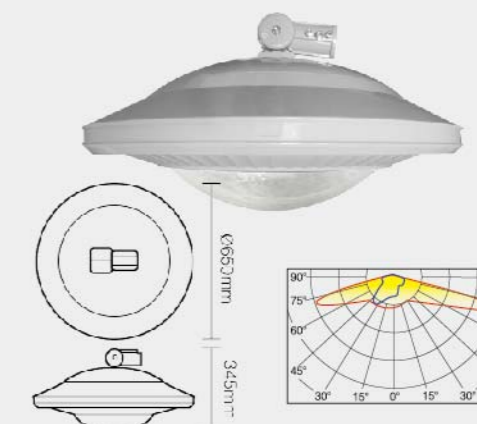
<b>Material</b>	Aluminum alloy, Tempered glass
<b>Pole Dimension</b>	Ø50mm - Ø60mm
<b>Net Weight</b>	8kg
<b>Protection Rank</b>	IP54
<b>Base</b>	E40
<b>Bulb Spec</b>	70W / 100W / 150W
<b>Certification</b>	China GB 7000.5 / GB 7000.1
<b>Model No.</b>	50-A027



## HID Street Light - Big UFO

節能路燈系列—大飛碟

<b>Material</b>	Aluminum alloy, Tempered glass
<b>Pole Dimension</b>	Ø50mm - Ø60mm
<b>Net Weight</b>	14.2kg
<b>Protection Rank</b>	IP54
<b>Base</b>	E40
<b>Bulb Spec</b>	100W / 150W / 250W / 400W
<b>Certification</b>	China GB 7000.5 / GB 7000.1
<b>Model No.</b>	50-A029



## HID / LED Landscape Luminaire

### 節能路燈系列—景觀燈



50-C003



<b>Material</b>	Aluminum alloy, Tempered glass	
<b>Voltage</b>	220V	
<b>Pole Dimension</b>	Ø80mm	
<b>Net Weight</b>	4.0kg	
<b>Insulation Class</b>	Class I	
<b>Base</b>	G12(HID Bulbs)	E27(LED Bulbs)
<b>Bulb Spec</b>	35W / 70W /150W	40W
<b>Lumens of Bulb</b>	3400/ 7000 / 15500	3800
<b>CCT</b>	3000K / 4200K	6000K±500K
<b>CRI</b>	80+(3000K) / 90+(4200K)	83+



G12 HID Bulbs



40W / E27 LED Bulbs

